

# xantrex™

## LITHIUM ION BATTERY DATASHEET

AVAILABLE IN:

**125 Ah**  
12V



## MORE POWER IN LESS SPACE

The Xantrex Lithium Ion Iron Phosphate (LiFePO<sub>4</sub>) battery is North America's first UL1973 listed\* battery for mobile applications. Equipped with redundant safety features, the Xantrex lithium battery is the safest in the market today. Specifically designed to withstand the harsh operating environments of mobile applications, the Xantrex lithium battery lasts up to 3,000 cycles compared to a traditional lead acid or AGM battery, which typically lasts 400-500 cycles. The Xantrex lithium battery offers exceptional power density and is also available with a heating blanket option if installation is outside the main cabin.

- ★ 25% More Capacity Than the Competition  
125 Ah vs 100 Ah
- 🚗 Ability To Crank Engines
- 🔋 Reserve Capacity - 10% Reserve
- 🇺🇸 Only Made in the USA Battery Management System
- ⚡ High and Low Voltage Cut Off
- 🌡️ High and Low Temperature Control
- 📱 Bluetooth Connectivity and App
- 🔍 Status Bit Code

### APPLICATIONS:



2019 RISE AWARDS WINNER

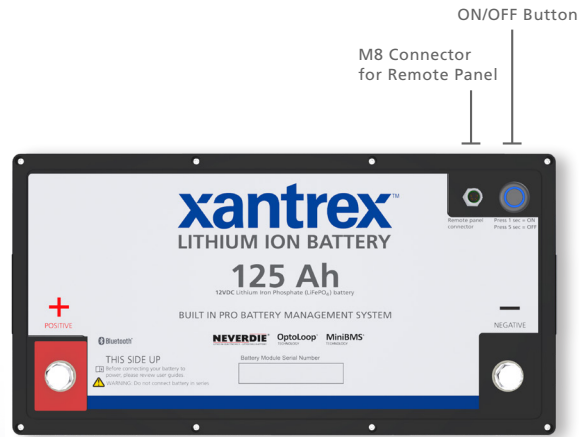
**3 YEAR WARRANTY**

[www.xantrex.com](http://www.xantrex.com)  
CUSTOMER CARE: 1.800.670.0707

Copyright © 2020 Xantrex LLC. All Rights Reserved. All trademarks are owned by Xantrex LLC.



FRONT VIEW



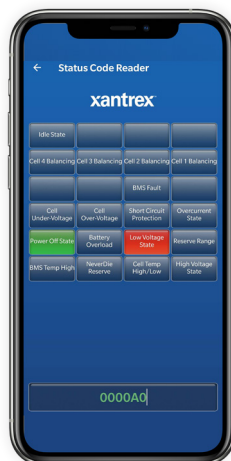
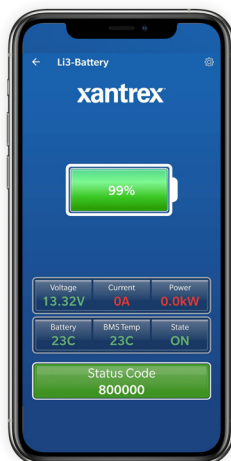
TOP VIEW

### GROUP 31 RV HOUSE BATTERY COMPARISON

	LEAD ACID/AGM	XANTREX
Battery Capacity	105AH	125AH
Useable Capacity	30-50%	98%
Charging	Bulk to 80%	Bulk to 99%
Wasted Energy	15%	0%
Life Cycles	300-500	3000-5000
Voltage at 50% SOC	10.5V	13.2V at 50% SOC
Voltage at 25% SOC	Dead	12.4
Weight	78lbs	33lbs
Degrades Significantly at Temp	77°F	113°F



## XANTREX BATTERY APP



- Connect with bluetooth
- Monitor battery
- View status codes
- View status bits for troubleshooting

DOWNLOAD ON

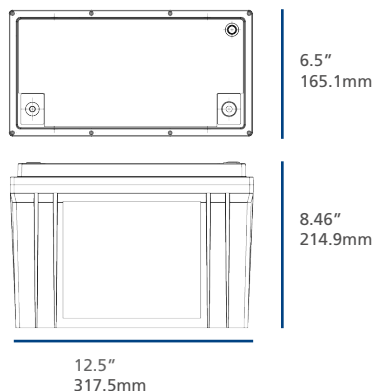


CONNECT WITH Bluetooth

**BATTERY SPECIFICATION**

Part Number	880-0125-12-03
Battery Voltage	12 V
Nominal True Capacity (Amp Hours)	125
Charging Voltage	14.6 Volts *
Nominal Voltage	12.8 Volts
Cut-off Discharge Voltage	12.0 Volts
Max Discharge Current (Continuous)	100 Amps
Max Continuous Charge Current	100 Amps
Surge Discharge Current	<400A for 30s max with starting temp of 77°F (25°C)
Pulse Discharge Current	<1000A for 1s max with starting temp of 77°F (25°C)
Internal Impedance	< 4 mΩ
Cycle Life @ 100% Depth of Discharge	2000-3000
Charge Temperature	32 to 113 °F (0 to 45 °C)
Discharge Temperature	-4 to 131 °F (-20 to 55 °C)
Storage Period (1 month)	-4 to 113 °F (-20 to 45 °C)
Storage Period (6 month)	59 to 95 °F (15 to 35 °C)
Battery Termination	M8 1.25x12mm Screw Terminals
Cell Balancing	YES
Safety Leader U.N. International Approved	U.N. D.O.T. 38.3 Lithium
Dimensions	12.5" x 6.5" x 8.46" (317.5mm x 165.1mm x 214.9mm)
Net Weight	33.4lbs / 15.15kg

\*for solar charge controller use 14.2-14.4V with 30 minutes max absorption time

**125AH 12V DIMENSIONS****CONTACT****CUSTOMER SERVICE**

1.800.670.0707  
 customerservice@xantrex.com  
**Hours of operation:**  
 6:30am - 4:30pm PST, Monday to Friday

 [facebook.com/Xantrex](https://www.facebook.com/Xantrex)

 @Xantrex

 [youtube.com/XantrexTechnology](https://www.youtube.com/XantrexTechnology)

**LEARN MORE ON:**

[www.xantrex.com](http://www.xantrex.com)