

6

5

4

3

2

1

REVISIONS								
CC	REV	CHANGES	AUT	DATE	CHKD	TC	REG	BC
D1	A	ECO 9180: INITIAL RELEASE	Jayvee V	2015-04-01	Rob H.	Harry X	Ralph M.	Albert S.
D1	B	ECO 9297: CORRECT LENGTH OF MOUNTING HOLES	Jayvee V	2015-07-27	Rob H.	Harry X	Ralph M.	Albert S.
D1	C	ECO 9381: UPDATE TO INCLUDE XI	Jayvee V	2015-09-18	Rob H.	Harry X	Ralph M.	Albert S.

Fold Line

Fold Line

Fold Line

NOTES:
Refer to your Freedom HFS/Xi Installation Guide and Owner's Guide for safety and installation instructions. Pay particular attention to the section detailed in the installation procedures.

XANTREX FREEDOM HFS/XI AND REMOTE MOUNTING TEMPLATE
531-0090-01-01 revision C

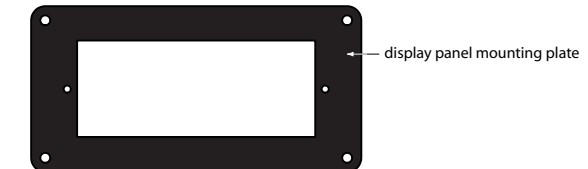
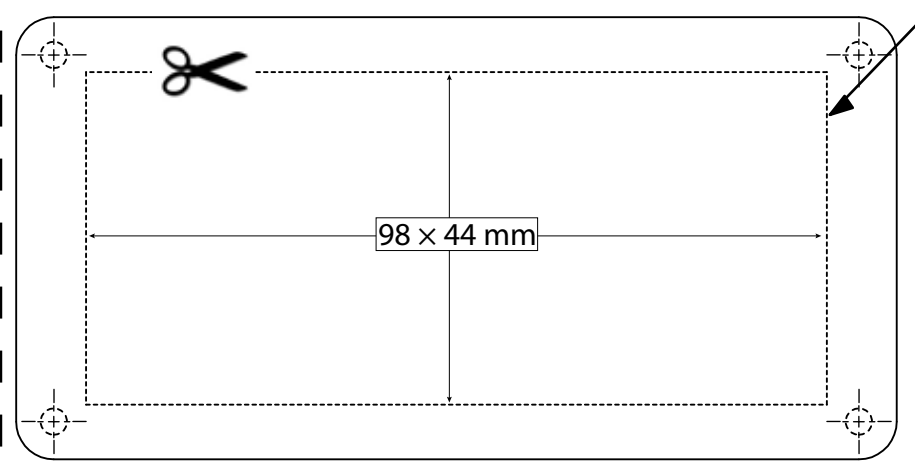
DRIP SHIELDS

XANTREX FREEDOM HFS/XI SERIES DISPLAY PANEL MOUNTING TEMPLATE

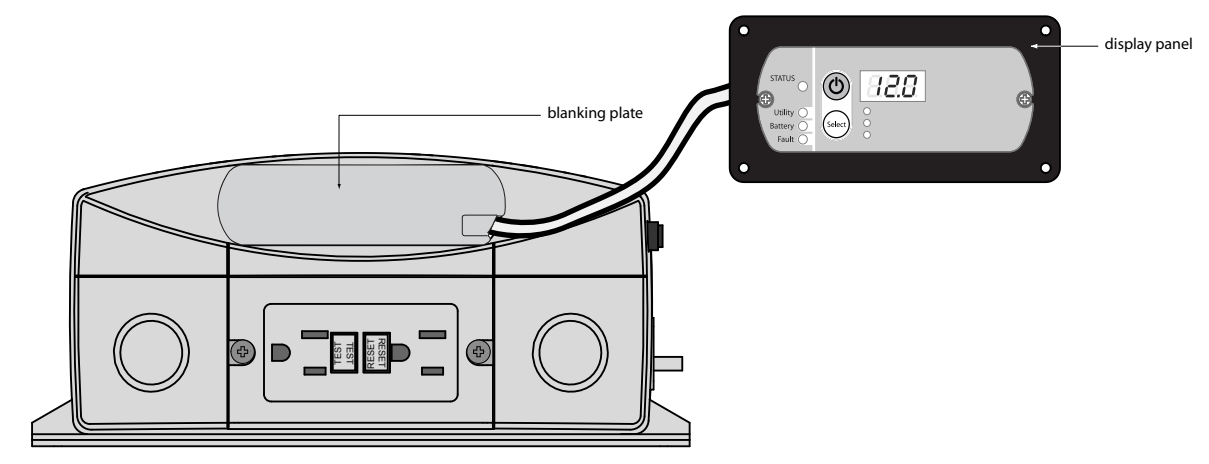
Freedom HFS/Xi wall mounting template cutout guide lines

NOTES:
Refer to your Xantrex Freedom HFS/Xi Installation and Owner's Guides for safety and installation instructions. Pay particular attention to the section detailed in the installation procedures.

1. Cut out the mounting template along the dotted lines as shown on the left.
2. Place the mounting template on the wall where you plan to install the Freedom HFS/Xi display panel.
3. Mark the mounting holes and the cutout guide lines on the wall.
4. Make the hole in the wall and pre-drill the mounting holes.
5. Route the extension cable behind the wall starting from the hole in the wall to the Freedom HFS/Xi unit.
6. Detach the display panel from the Freedom HF unit and unplug both ends of the short cable.
7. Plug one end of the extension cable to the port inside the display panel compartment of the Freedom HFS/Xi unit.
8. Mount and secure the display panel mounting plate on the wall (four screws not provided).



9. Plug the other end of the extension cable to the port on the back of the display panel.
10. Mount and secure the display panel onto the display panel mounting plate (two screws provided).
11. Mount and secure the blanking plate on the Freedom HFS/Xi unit (see illustrations).



225.0 Units in mm (millimeters)

Freedom HFS/Xi Mounting Holes

386.0

750.0

187.5

375.0

Fold Line

Fold Line

Fold Line

NOTES:

1. MATERIAL: 20LBS PAPER
2. INK COLOUR: PANTONE PROCESS BLACK OR EQUIVALENT
3. BACKGROUND COLOUR: WHITE
4. FOR ARTWORK REFER TO ARTWORK FILE 531-0090-01-01_rev-C(artwork)
5. FOR MANUFACTURER'S QUALITY AUDIT/CHECK REFER TO THIS DRAWING
6. MANUFACTURER SHALL PROVIDE =SE= WITH 1 OF 2 FIRST ARTICLE APPROVED SAMPLES

CONFIDENTIAL INFORMATION OF SCHNEIDER ELECTRIC
IS COPYRIGHT 2015 SCHNEIDER ELECTRIC. ALL RIGHTS RESERVED. ALL TRADEMARKS ARE OWNED BY SCHNEIDER ELECTRIC INDUSTRIES SAS OR ITS AFFILIATED COMPANIES AND SHALL NOT BE USED OR REPRODUCED IN ANY FORM OR FOR ANY PURPOSE WHATSOEVER WITHOUT THE EXPRESS WRITTEN PERMISSION OF SCHNEIDER ELECTRIC INDUSTRIES SAS



TOLERANCES: (UNLESS OTHERWISE SHOWN)

XX	XXX	ANGLES
±0.3	±0.13	±0.5°

WALL MOUNTING TEMPLATE FREEDOM HFS/XI REMOTE CUTOUT GUIDELINES

DIMENSIONS ARE IN MILLIMETERS UNLESS OTHERWISE SHOWN	AUT Jayvee V.	2015-03-27	REV Jayvee V.	2015-03-27	SCALE 1:1	DATE	REV
--	---------------	------------	---------------	------------	-----------	------	-----

531-0090-01-01
C
1 of 1

6

5

4

3

2

1